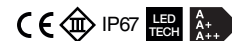


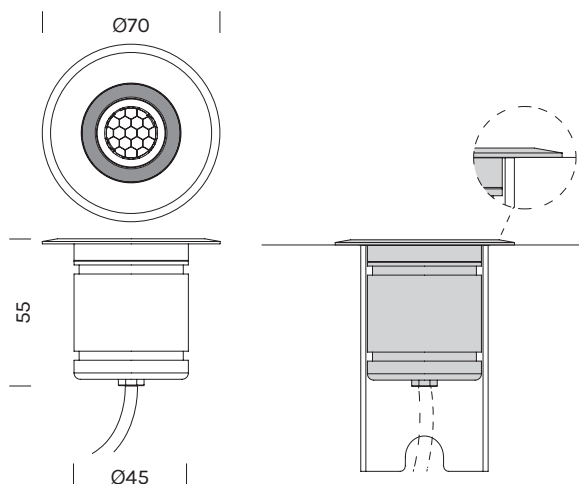
MINI DOT

Filippo Cannata



Ø47mm

unità - unit = mm



Dati tecnici - Datasheet

| Sorgente luminosa - Light Source | LED | | | | | | | | | | | | | | | | | | | | | | | | |
|---|---|--------------------------------|-------------------------------|--------------------|--|--|----------|-----------|------------|------------|---------|---------------------|------------------|--------------------|--------------------|----------|--------------------|--------------------|------------------|------------------|----------|--------------------|------------------|------------------|------------------|
| Potenza - Power | 5,8W | | | | | | | | | | | | | | | | | | | | | | | | |
| Alimentazione - Supply current | 24Vdc | | | | | | | | | | | | | | | | | | | | | | | | |
| Lumen sorgente - Source lumens | 2700°K= 445lm 3000°K= 480lm 4000°K= 515lm | | | | | | | | | | | | | | | | | | | | | | | | |
| Classe di isolamento - Safety class | III | | | | | | | | | | | | | | | | | | | | | | | | |
| IP | IP67 | | | | | | | | | | | | | | | | | | | | | | | | |
| Classe energetica - Energy class | A / A+ / A++ | | | | | | | | | | | | | | | | | | | | | | | | |
| Indice di resa cromatica - Colour rendering index | CRI90 | | | | | | | | | | | | | | | | | | | | | | | | |
| Ottica - Optics | 00° - 15° - 36° | | | | | | | | | | | | | | | | | | | | | | | | |
| Alimentatore - Driver | escluso - excluded | | | | | | | | | | | | | | | | | | | | | | | | |
| Lunghezza cavo - Cable length | 1mt - 39inch | | | | | | | | | | | | | | | | | | | | | | | | |
| Collegamento Elettrico - Electrical Connection | parallelo - parallel | | | | | | | | | | | | | | | | | | | | | | | | |
| Cavo - Cable | <table border="1"> <thead> <tr> <th rowspan="2">potenza driver driver power</th> <th colspan="4">lunghezza cavo - cable length</th> </tr> <tr> <th>0 - 5 mt</th> <th>5 - 10 mt</th> <th>10 - 20 mt</th> <th>20 - 50 mt</th> </tr> </thead> <tbody> <tr> <td>70W MAX</td> <td>0,75mm²</td> <td>1mm²</td> <td>1,5mm²</td> <td>2,5mm²</td> </tr> <tr> <td>150W MAX</td> <td>1,5mm²</td> <td>2,5mm²</td> <td>4mm²</td> <td>4mm²</td> </tr> <tr> <td>240W MAX</td> <td>2,5mm²</td> <td>4mm²</td> <td>6mm²</td> <td>6mm²</td> </tr> </tbody> </table> | potenza driver driver power | lunghezza cavo - cable length | | | | 0 - 5 mt | 5 - 10 mt | 10 - 20 mt | 20 - 50 mt | 70W MAX | 0,75mm ² | 1mm ² | 1,5mm ² | 2,5mm ² | 150W MAX | 1,5mm ² | 2,5mm ² | 4mm ² | 4mm ² | 240W MAX | 2,5mm ² | 4mm ² | 6mm ² | 6mm ² |
| potenza driver driver power | lunghezza cavo - cable length | | | | | | | | | | | | | | | | | | | | | | | | |
| | 0 - 5 mt | 5 - 10 mt | 10 - 20 mt | 20 - 50 mt | | | | | | | | | | | | | | | | | | | | | |
| 70W MAX | 0,75mm ² | 1mm ² | 1,5mm ² | 2,5mm ² | | | | | | | | | | | | | | | | | | | | | |
| 150W MAX | 1,5mm ² | 2,5mm ² | 4mm ² | 4mm ² | | | | | | | | | | | | | | | | | | | | | |
| 240W MAX | 2,5mm ² | 4mm ² | 6mm ² | 6mm ² | | | | | | | | | | | | | | | | | | | | | |

Composizione codice - Code composition

example 1234W00-AA

| articolo item | temperatura colore colour temperature | °ottica °optic | finitura finish |
|------------------|--|-------------------|-------------------------------------|
| 135 | M 2700 °K | 15 | -AI Acciaio Inox Stainless steel |
| | W 3000 °K | 36 | |
| | N 4000 °K | 00 | |

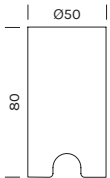
Necessita di controcassa e alimentatore remoto 24Vdc
Requires casing and 24Vdc remote driver

MINI DOT

Filippo Cannata

Controcassa - Outercasing

unità - unit = mm



codice
code

CN08

articolo
item

-AA Alluminio anodizzato
Anodized aluminium

Alimentatore 24Vdc in tensione - Constant voltage drivers 24Vdccc

| misura (mm) measure (mm) | articolo item | potenza power | articoli articles |
|-----------------------------|------------------|------------------|----------------------|
| 90x39x19 | AL1424-IP | 14W | 1 |
| 175x42x34 | OL1X30 | 30W | 1-3 |
| 200x50x32 | OL1X75 | 75W | 1-6 |