



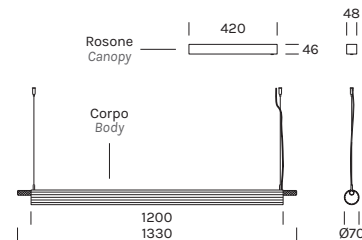
SOSPENSIONE / SUSPENSION

TRISEL



alluminio, vetro  
fascio di luce verso il basso

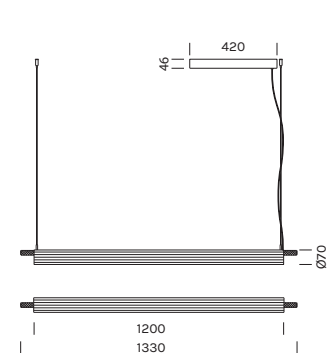
aluminium, glass  
downward beam of light



ON-OFF - Rosone con driver incluso / ON-OFF - Canopy with driver included



	W 3000	N 4000	M 2700
<b>Potenza/ Power</b>	1x34.8W	1x34.8W	1x34.8W
<b>Lumen</b>	1x4055lm	1x4130lm	1x3712lm
<b>CRI</b>	>90	>90	>90
<b>Alimentazione/ Supply</b>	220Vac 50Hz	220Vac 50Hz	220Vac 50Hz

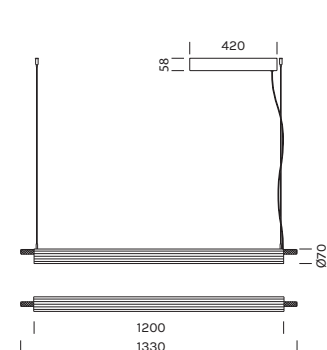


Articolo Item	Temperatura Temperature	Rosone Canopy	Corpo Body
<b>4001</b>	<b>W</b>	<b>-BV</b>	<b>-BV</b>
RS08/01 (1Pz)	<b>N</b>	<b>-NO</b>	<b>-NO</b>
4000 (1Pz)	<b>M</b>	<b>-OR</b>	<b>-OR</b>
		<b>-TB</b>	<b>-TB</b>
		<b>-TI</b>	<b>-TI</b>

PUSH - DALI - 1-10V - Rosone con driver incluso  
PUSH - DALI - 1-10V - Canopy with driver included



	W 3000	N 4000	M 2700
<b>Potenza/ Power</b>	1x34.8W	1x34.8W	1x34.8W
<b>Lumen</b>	1x4055lm	1x4130lm	1x3712lm
<b>CRI</b>	>90	>90	>90
<b>Alimentazione/ Supply</b>	220Vac 50Hz	220Vac 50Hz	220Vac 50Hz



Articolo Item	Temperatura Temperature	Rosone Canopy	Corpo Body
<b>4002</b>	<b>W</b>	<b>-BV</b>	<b>-BV</b>
RS10/01 (1Pz)	<b>N</b>	<b>-NO</b>	<b>-NO</b>
4000 (1Pz)	<b>M</b>	<b>-OR</b>	<b>-OR</b>
		<b>-TB</b>	<b>-TB</b>
		<b>-TI</b>	<b>-TI</b>

Il codice prodotto si compone mettendo uno dopo l'altro, da sinistra a destra, i dati nelle colonne gialle, es: 1111M12-AA  
The product code is created by putting in sequence the data under the yellow columns from left to right, e.g:1111M12-AA

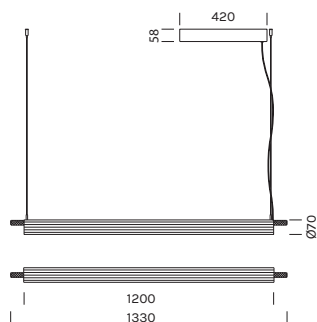
# PRELIMINARY

## CASAMBI - PUSH - Rosone con driver incluso

CASAMBI - PUSH - Canopy with driver included



4002/01	W 3000	N 4000	M 2700
<b>Potenza/ Power</b>	1x34.8W	1x34.8W	1x34.8W
<b>Lumen</b>	1x4055lm	1x4130lm	1x3712lm
<b>CRI</b>	>90	>90	>90
<b>Alimentazione/ Supply</b>	220Vac 50Hz	220Vac 50Hz	220Vac 50Hz



Articolo Item	Temperatura Temperature	Rosone Canopy	Corpo Body
<b>4002/01</b>	<b>W</b>	<b>-BV</b>	<b>-BV</b>
RS10/03 (1Pz)	<b>N</b>	<b>-NO</b>	<b>-NO</b>
4000 (1Pz)	<b>M</b>	<b>-OR</b>	<b>-OR</b>
		<b>-TB</b>	<b>-TB</b>
		<b>-TI</b>	<b>-TI</b>

Il codice prodotto si compone mettendo uno dopo l'altro, da sinistra a destra, i dati nelle colonne gialle, es: 1111M12-AA  
The product code is created by putting in sequence the data under the yellow columns from left to right, e.g:1111M12-AA